

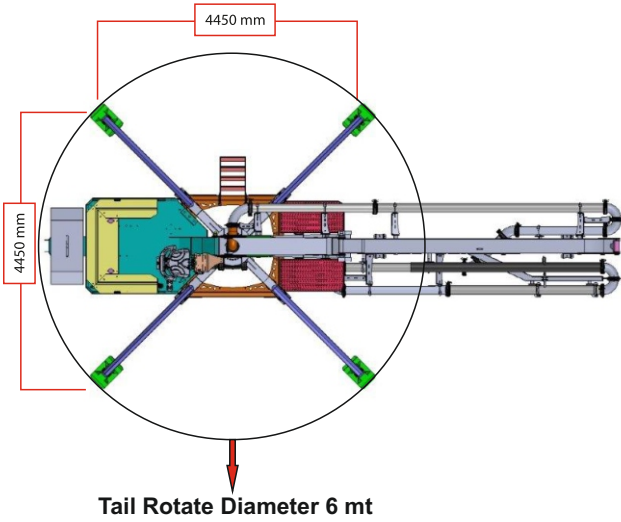


Spider Placing Boom HD15 R3

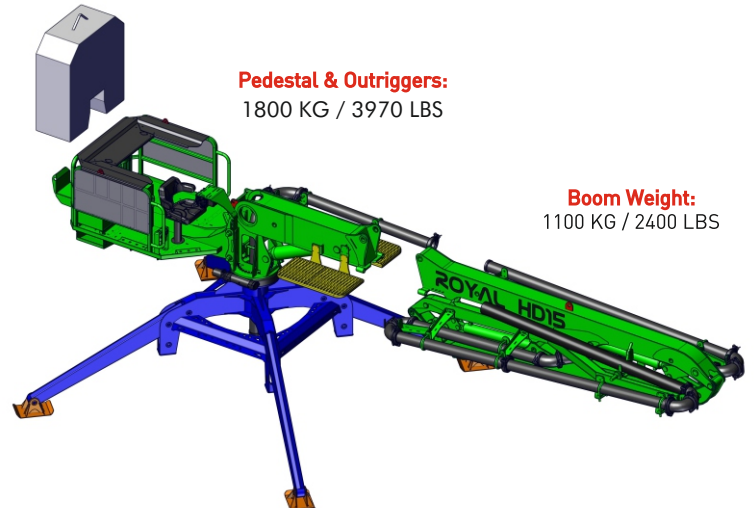
HIGH DYNAMIC
series

Technical Details

Horizontal Reach	15 M
Vertical Reach	18 M
Working Range	710 M ²
Machine Weigh	2900 KG / 6350 LBS
Ballast Weight	1800 KG / 3970 LBS
Total Weight	4700 KG / 10360 LBS
End Hose	3 M
Power / Voltage	5,5 KW, 380-400V, 3 PHASE



Ballast Weight:
1800 KG / 3970 LBS



Standard Equipments



Radio Control



Proportional
Radio Remote Control



Electric Motor

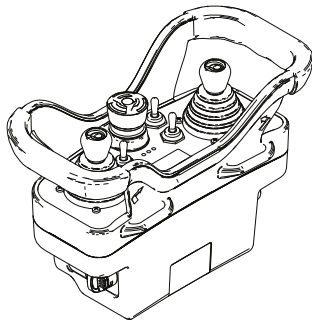
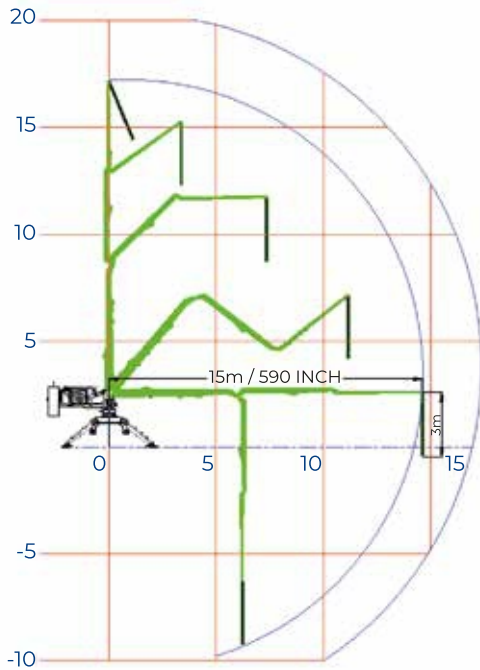


360°



Ballast Weight Steel
Case

Working Range

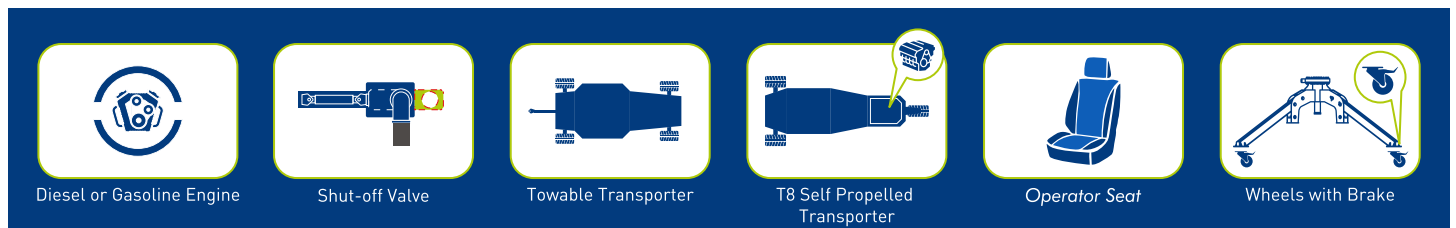


Proportional
Radio Remote
Control

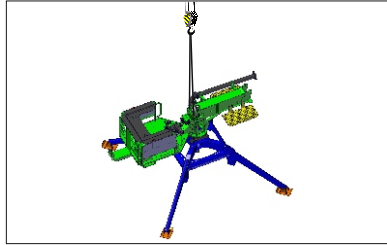
General Descriptions

- HD15 R3 standart usage is on outrigger.
- Boom sections are made of High strength S700 MC steel and cut buy cnc laser
- Ballast weight steel case mould will be given to be filled with concrete on construction site by your side
- All the pin connection bearings are horizontally milled
- Hydraulic oil pump and connections are located outside the oil tank for ease of diagnose maintenance and service

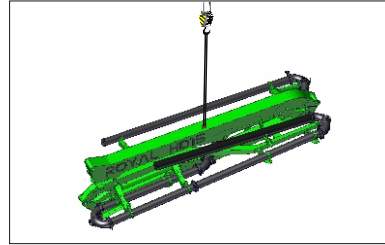
Optional Equipments



Proportional Split According to Crane Lifting Capacity



Pedestal & Outriggers
1800 KG - 3970 LBS



Boom Section
1100 KG - 2400 LBS

Importance of Mechanical Design

- During the process of replacing the boom section, it will not touch the ground and it will be prevented from scratch and corrosion.
- At the process of displacement and installation in construction sites, the part of the machine must save its transport position by itself without any support or jackhorse etc.. by the unity of our design boom section and other groups do not need any support and will not overturn during displacement and installation.



More safe and precise control with the proportional remote and hydraulic valve



Ease of Service and Maintenance



Hydraulic oil pump located outside of the tank for ease of diagnose



Boom Section Feet prevents from scratch and corrosion

Origin Of Products Used

 BORUSAN MANNESMANN CONCRETE DELIVERY LINE /TURKEY	 CASAPPA FLUID POWER DESIGN HYDRAULIC OIL PUMP /ITALY	 ThyssenKrupp BOOM SHEETS /GERMANY	 BENTELER HYDRAULIC CIRCUIT PIPES /AUSTRIA
 AKON mobile valves VALVE BLOCK /TURKEY	 autec safety remote control RADIO REMOTE CONTROL /ITALY	 Schneider Electric ELECTRICAL SYSTEM /FRANCE	 TOTAL HYDRAULIC SYSTEM OIL /FRANCE
 HYDAC HYDRAULIC SYSTEM FILTERS /GERMANY	 TGB SLEWING GEAR /SPAIN	 ABB ELECTRIC MOTOR /GERMANY	 brevini SLEWING HYDRO MOTOR /ITALY